

Ceiling System



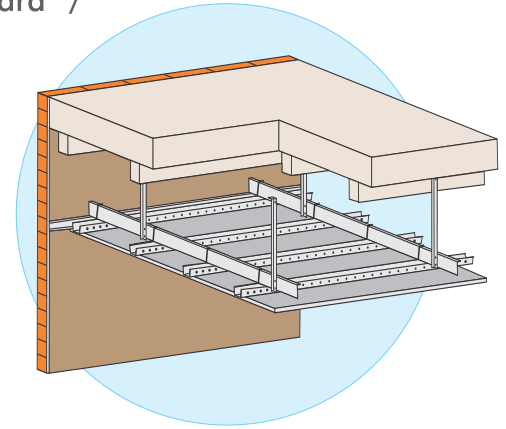


Ceiling System

The GypCeiling ceiling system is a monolithic suspended ceiling system that gives a beautiful, homogeneous appearance and smooth finish without visible joints. The system comprises a concealed Gypsteel ULTRA™ metal frame work suspended from the structural soffit. Gypboard® or Gyproc® plasterboards are screw fixed to the framework to form the ceiling lining. The lining is jointed or skim plaster finished to form a seamless surface suitable to receive most decorative finishes. The plenum is used to route ducting and other services can be accessed by providing access panels. Curves, steps and various designer ceiling options can also be easily achieved using this system.

GypCeiling System

GypCeiling suspended ceiling system: Featuring Gypboard® / Gyproc® plasterboard + Gypsteel ULTRA™ metal framing system



- Monolithic appearance
- Suspension from concrete soffit surface
- Ventilation ducts and other services accommodated in plenum
- Easy to create bulk heads and change levels
- Access panels provide service access
- Special load bearing ceilings available
- Different types of systems available depending on application and performance criteria including,
 1. GypCeiling Classic
 2. GypCeiling Hydro
 3. GypCeiling Fire Resist

GypCeiling System Range

GypCeiling System	Board Type	Lining Thickness (mm)	Ceiling Section Support Centres (mm)	Intermediate Support Centres (mm)	Fire Rating (Mins)
Casoline Classic	1 X 9.5mm Gypboard Plain	9.5	365	1220	N.A.
	1 X 12.5mm Gypboard Plain	12.5	457.5	1220	N.A.
	2 X 12.5mm Gypboard Plain	25	457.5	1220	30
Casoline Hydro	1 X 12.5mm Gyproc MR	12.5	457.5	1220	N.A.
Casoline Fire Resist	1 X 12.5mm Gyproc Fireline	12.5	457.5	1220	60
	2 X 12.5mm Gyproc Fireline	25	457.5	1220	90
	2 X 15mm Gyproc Fireline	30	457.5	900	120
	2 X 15mm Gyproc Fireline + 12mm thick Universal One Coat	42	457.5	900	180

Installation overview

Step I



Rawl Plug fixed into the soffit

Step V



Plasterboard screw fixed with Drywall screws in staggered joint manner.

Step II



Perimeter channel fixed to the wall at required ceiling

Step VI



Plasterboard fixing complete, ready for jointing & finishing

Step III



Intermediate channel connected to ceiling angle at required suspension height

Step VII



Jointing & finishing is done on tapered edge/square edge joint

Step IV



Intermediate channel and ceiling section are connected with each other by using connecting clip

Step VIII



Finished flush seamless ceilings